



ROLLER SHUTTER PROFILE



Foam-filled Slats For Roller Shutter

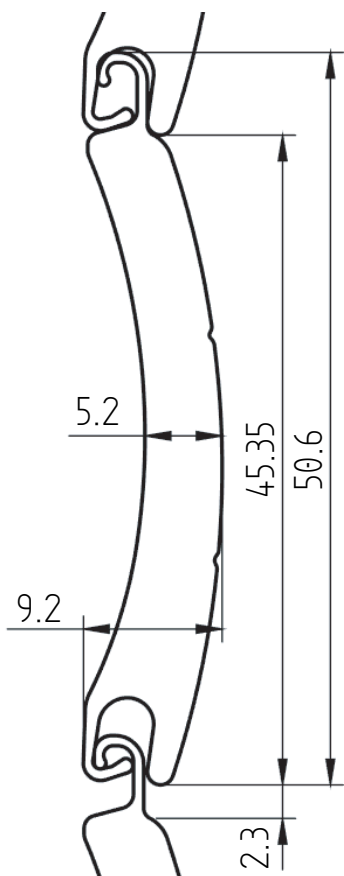
ULEPANDA

▼ 6 Product Features

- Sun-shading
- Sound insulation
- Wind-proof and dust-proof
- Ventilation and dimming
- Cold proof
- Privacy and security



▼ 45mm*0.25mm Aluminum Slat



Technical Specifications

Size	45mm
Nominal Thickness	9.2mm
Plate Thickness	0.25mm
Weight	97g/m, 2.2kg/m ²
Lighting Hole Size	1×12mm
Pu Density	60-65kg/m ³
Maximum Shutter Width	≤3.0m
Maximum Shutter Height	≤3.0m
Slats Per Meter	22.2

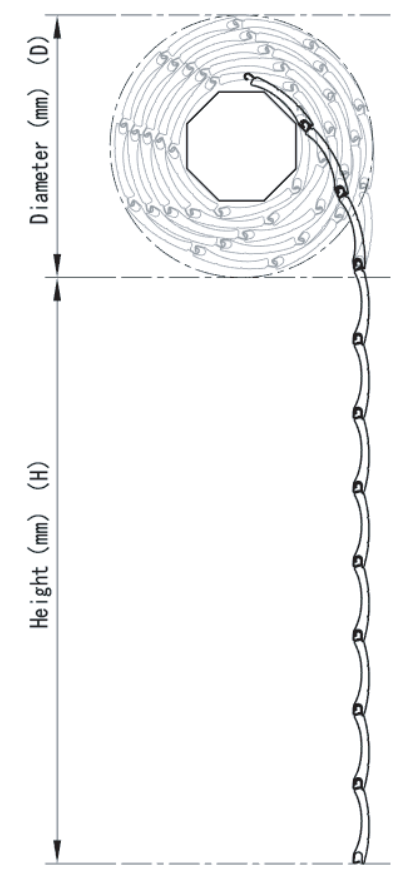
Packing Data

Length	5.8m-6.5m
Slats Per Package	56 Pcs



Diameters of winding

Height (mm)	Diameter		
	φ40	φ50	φ60
600	105	110	115
800	120	125	125
1000	135	135	130
1200	135	140	140
1400	150	150	145
1600	150	155	155
1800	160	160	160
2000	165	170	170
2200	170	170	175
2400	180	175	175
2600	180	185	190
2800	195	190	190
3000	195	190	190
3200	195	200	205
3400	210	205	205
3600	210	215	210
3800	210	215	220
4000	225	220	220



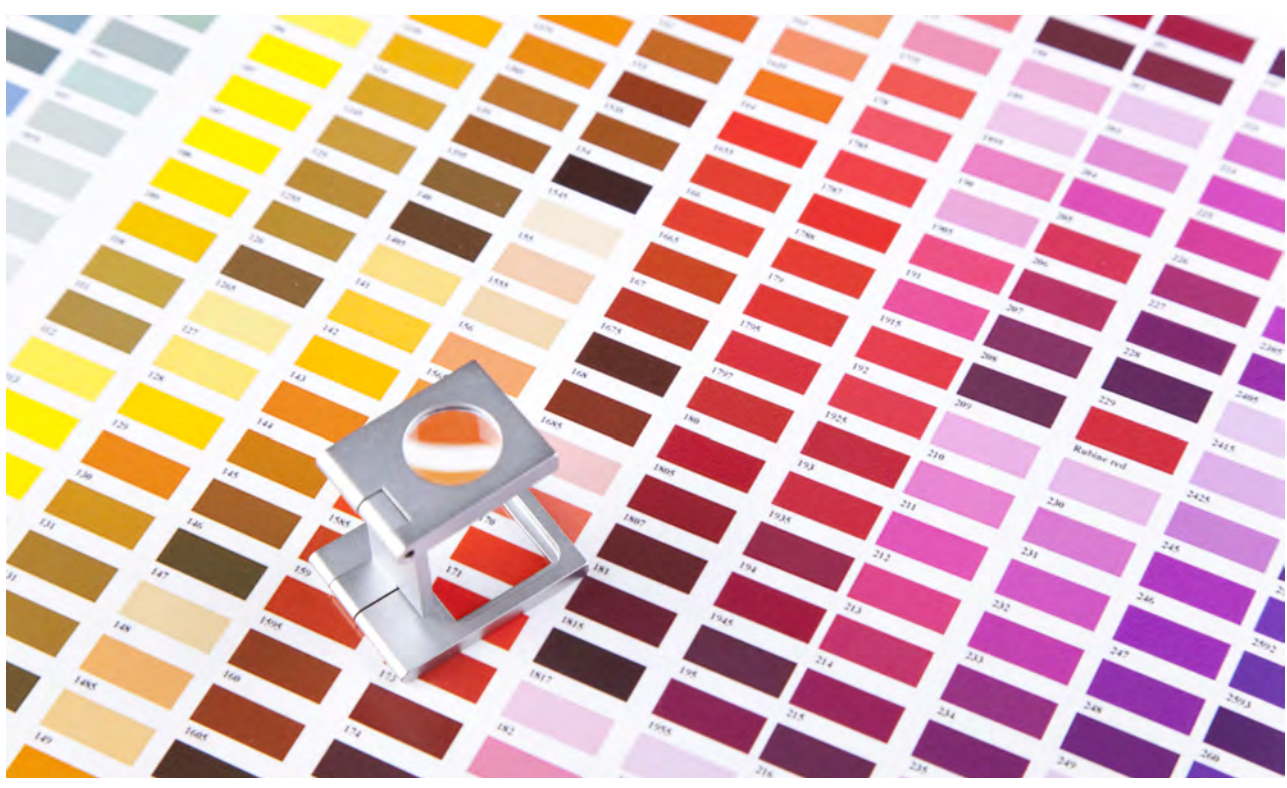
▼ RICH COLORS

For all the visible surfaces of our products made of aluminum, we offer five common color combinations or customized by RAL colors. The color scheme will always match your building space perfectly.

BASIC COLOR



PERSONALIZED COLOR



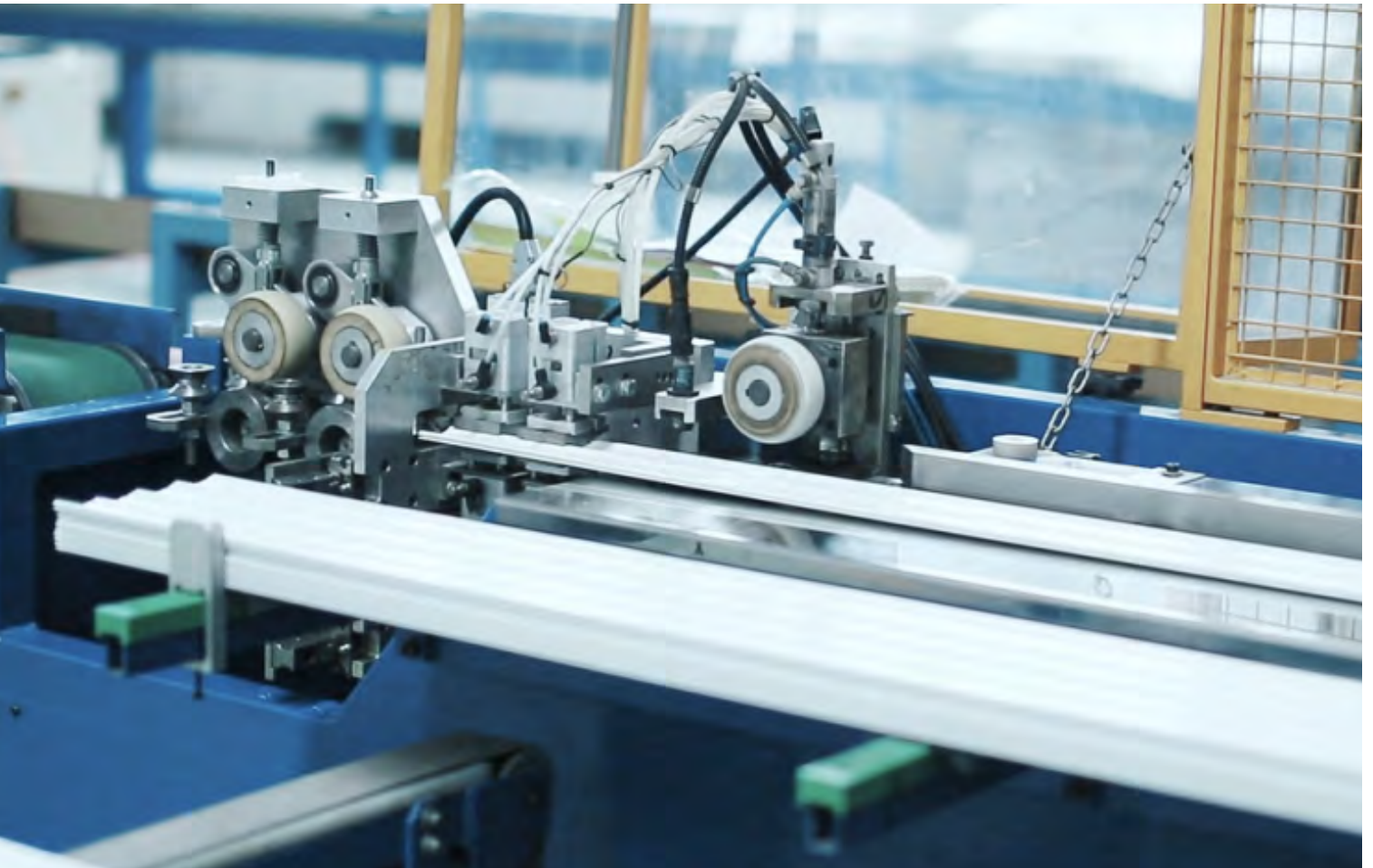
▼ QUALITY ASSURANCE



- Five years warranty for the condition under regular use and maintenance and without human damage;
- Provide five years the quality assurance of aluminum alloy materials do not fade.

EXCELLENT CRAFTSMANSHIP

Imported from Italy production line, each production shift, each batch of materials has a self-inspection sample to ensure 100% quality inspection and comply with the EU standards. Each product will be the same.



ULEPANDA

ULE PANDA

Craft by Nanjing Jinxing Yu
Energy Saving Technology Co., Ltd

Address: 6 Liyuan Rd, Pukou District, Nanjing, Jiangsu, China, 211806

Email: info@ulepanda.com

www.ulepanda.com

