



ROLLER SHUTTER PROFILE



Foam-filled Slats For Roller Shutter

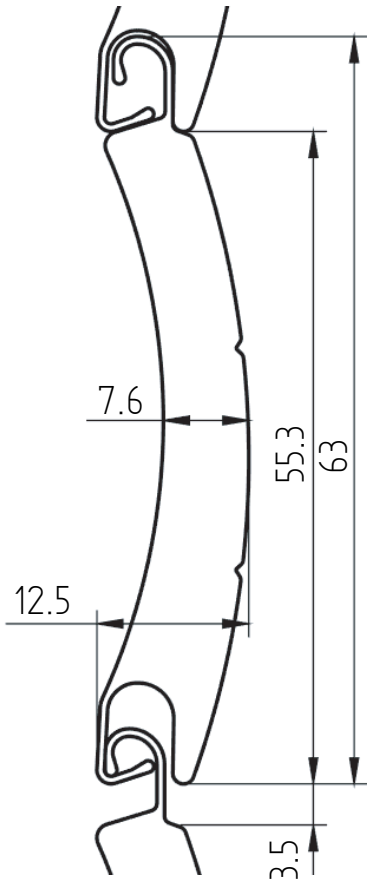
ULEPANDA

▼ 6 Product Features

- Sun-shading
- Sound insulation
- Wind-proof and dust-proof
- Ventilation and dimming
- Cold proof
- Privacy and security



▼ 55mm*0.30mm Aluminum Slat

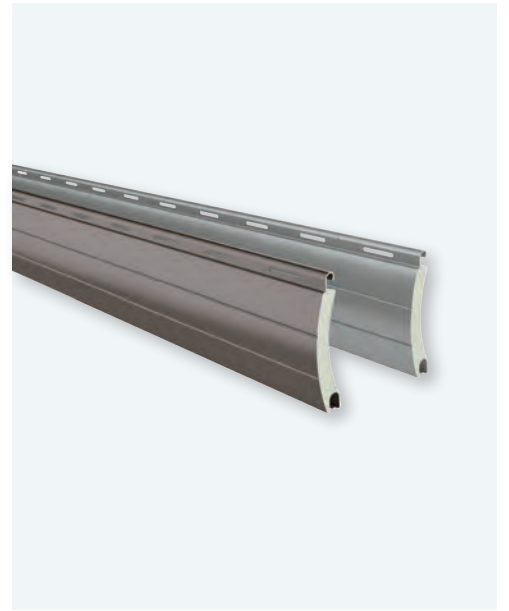


Technical Specifications

Size	55mm
Nominal Thickness	12.5mm
Plate Thickness	0.3mm
Weight	165g/m, 3.0kg/m ²
Lighting Hole Size	1.5×17mm
Pu Density	60-65kg/m ³
Maximum Shutter Width	≤3.3m
Maximum Shutter Height	≤3.5m
Slats Per Meter	18

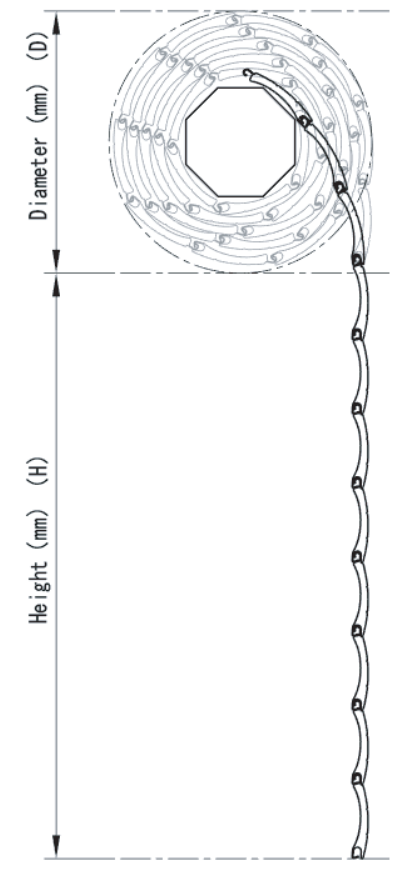
Packing Data

Length	5.8m-6.5m
Slats Per Package	30 Pcs



Diameters of winding

Height (mm)	Diameter	
	φ60	φ70
600	140	145
800	145	155
1000	165	175
1200	170	180
1400	185	185
1600	190	200
1800	200	200
2000	210	210
2200	210	225
2400	220	225
2600	230	230
2800	230	245
3000	235	245
3200	250	245
3400	250	265
3600	255	270
3800	270	270
4000	275	280



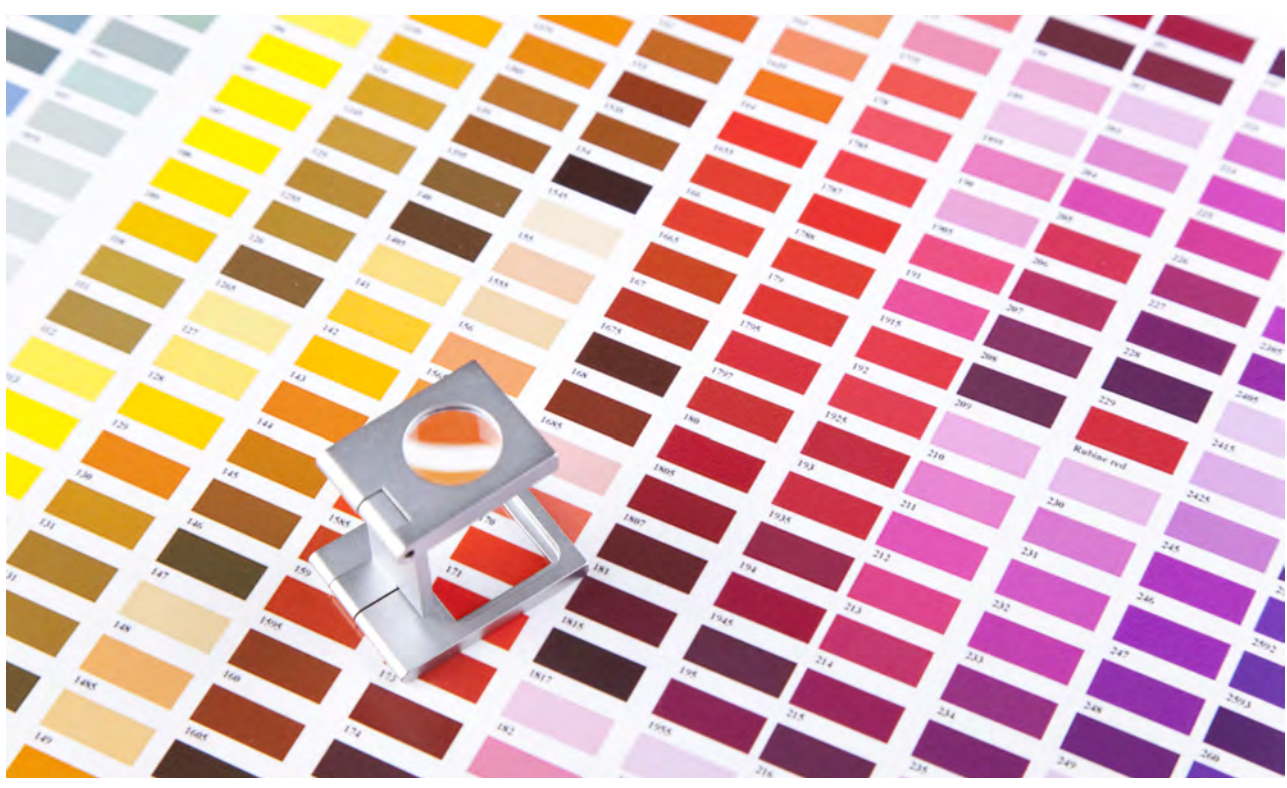
▼ RICH COLORS

For all the visible surfaces of our products made of aluminum, we offer five common color combinations or customized by RAL colors. The color scheme will always match your building space perfectly.

BASIC COLOR



PERSONALIZED COLOR



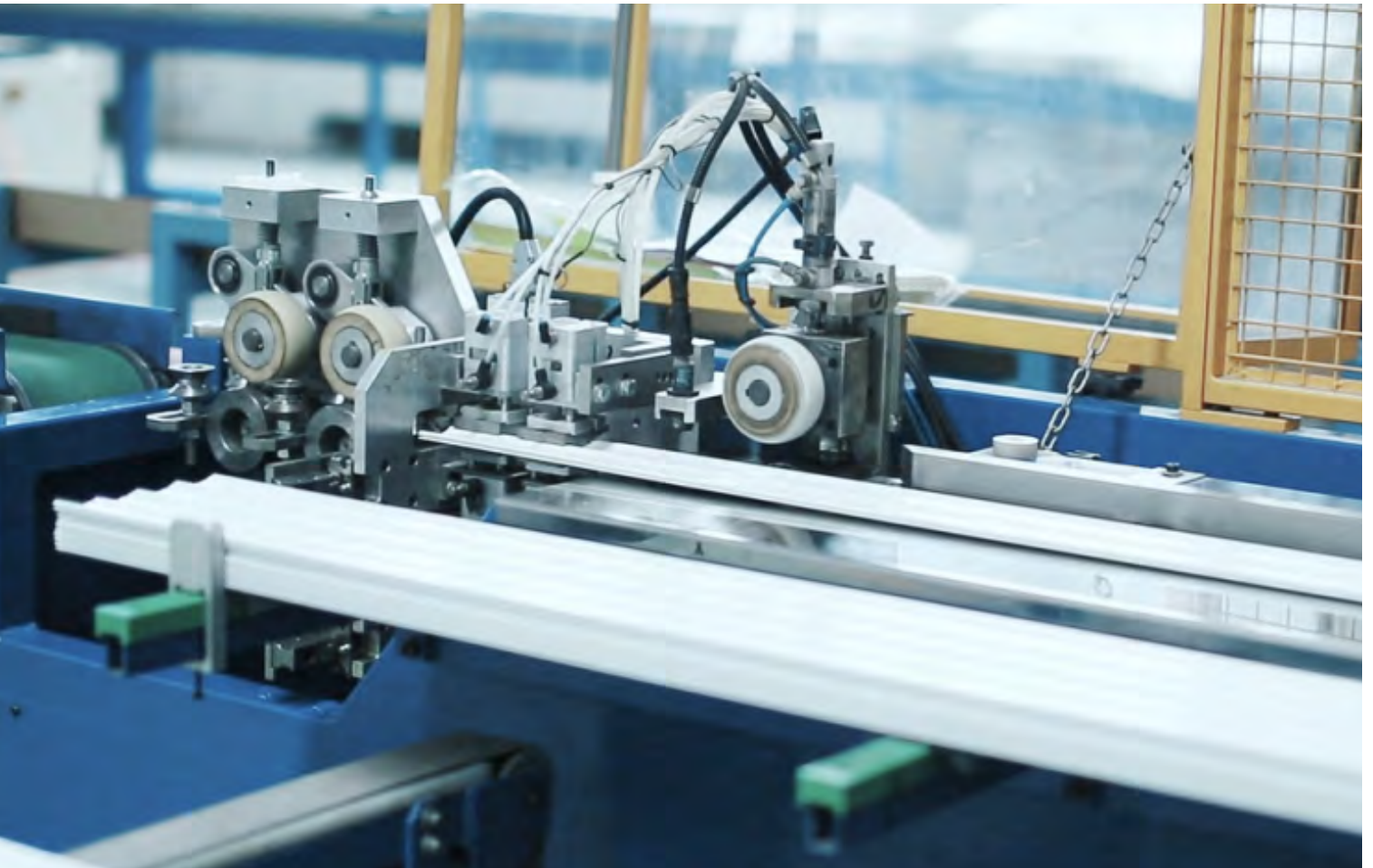
▼ QUALITY ASSURANCE



- Five years warranty for the condition under regular use and maintenance and without human damage;
- Provide five years the quality assurance of aluminum alloy materials do not fade.

EXCELLENT CRAFTSMANSHIP

Imported from Italy production line, each production shift, each batch of materials has a self-inspection sample to ensure 100% quality inspection and comply with the EU standards. Each product will be the same.



ULEPANDA

ULE PANDA

Craft by Nanjing Jinxing Yu
Energy Saving Technology Co., Ltd

Address: 6 Liyuan Rd, Pukou District, Nanjing, Jiangsu, China, 211806

Email: info@ulepanda.com

www.ulepanda.com

