



ROLLER SHUTTER PROFILE



Foam-filled Slats For Roller Shutter

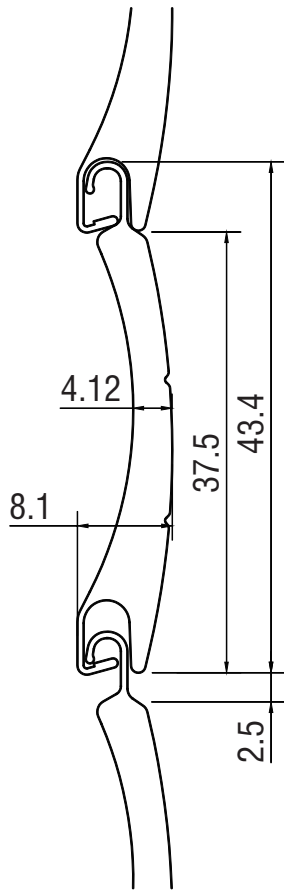
ULEPANDA
ROLLER SHUTTER SLATS

▼ Product Features

- Sun-shading
- Sound insulation
- Wind-proof and dust-proof
- Ventilation and dimming
- Cold proof
- Privacy and security



▼ LP37*8.1mm Aluminum Slat



Technical Specifications

Size	37mm
Normal Thickness	8.1mm
Plate Thickness	0.28mm
Lighting Hole Size	1.1×17.5mm
Pu Density	60kg/m ³
Maximum Shutter Width	≤3.0m
Maximum Shutter Height	≤3.5m
Slats Per Meter	27

Packing Data

Length	5.1m-6.5m
Slats Per Package	60pcs

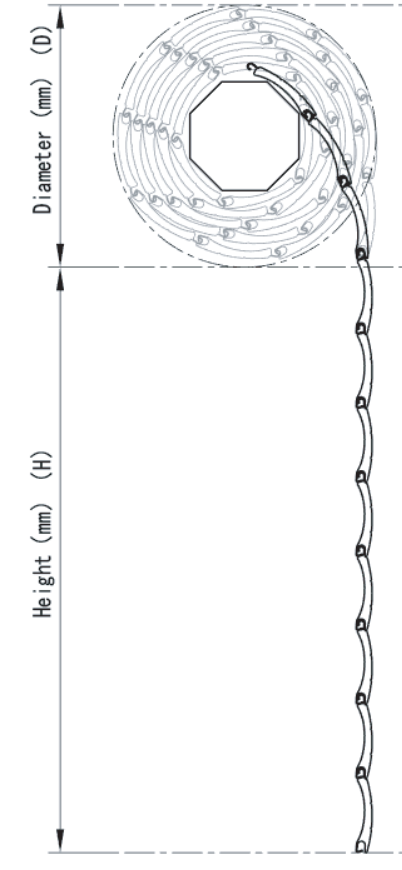


▼ LP37*8.1mm Aluminum Slat

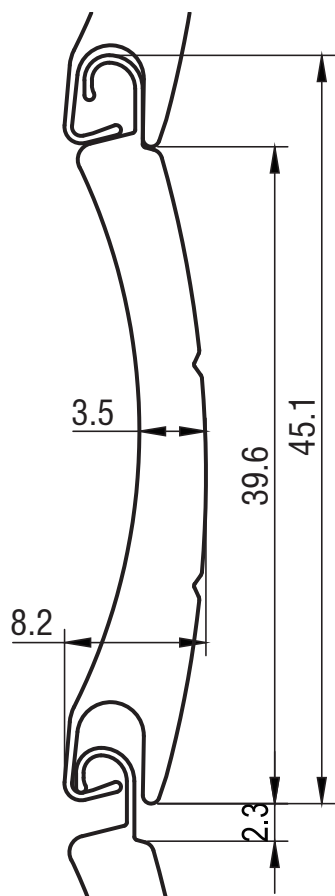


Diameters of winding

Height (mm)	Diameter	
	φ40	φ50
600	102	102
800	107	112
1000	112	117
1200	122	125
1400	130	132
1600	135	137
1800	140	142
2000	147	150
2200	152	155
2400	160	162
2600	162	167
2800	170	175
3000	172	177



▼ EP39*8.2mm Aluminum Slat



Technical Specifications

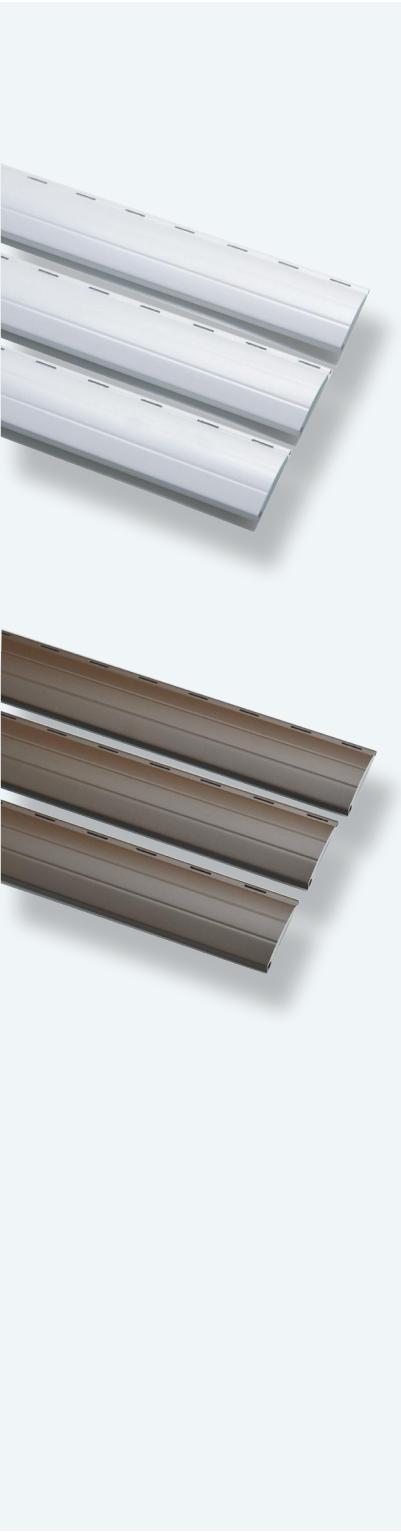
Size	39mm
Normal Thickness	8.2mm
Plate Thickness	0.23mm
Lighting Hole Size	1×12mm
Pu Density	60kg/m ³
Maximum Shutter Width	≤2.2m
Maximum Shutter Height	≤3.0m
Slats Per Meter	25.6

Packing Data

Length	5.1m-6.5m
Slats Per Package	60 Pcs

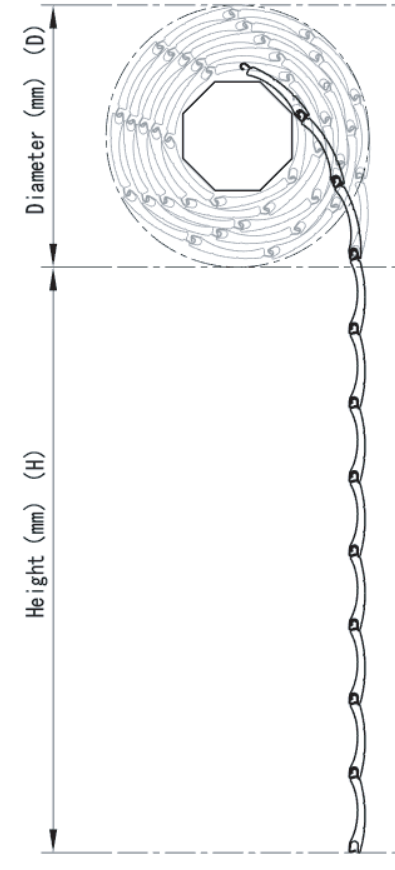


▼ EP39*8.2mm Aluminum Slat

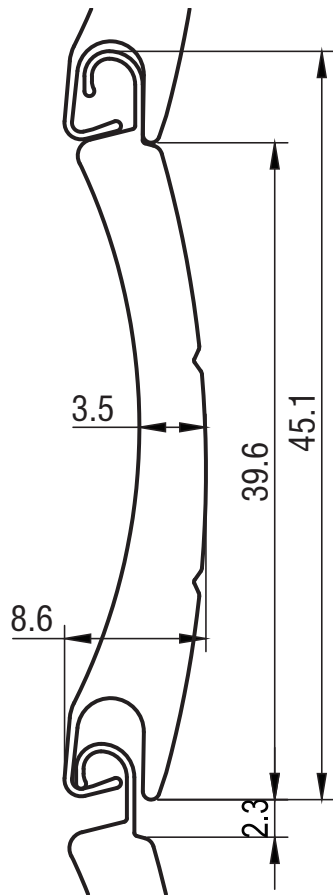


Diameters of winding

Height (mm)	Diameter	
	φ40	φ50
600	105	105
800	110	115
1000	115	120
1200	125	128
1400	133	135
1600	138	140
1800	143	145
2000	150	150
2200	155	155
2400	162	165
2600	165	170
2800	172	178
3000	175	180



▼ EP39*8.6mm Aluminum Slat



Technical Specifications

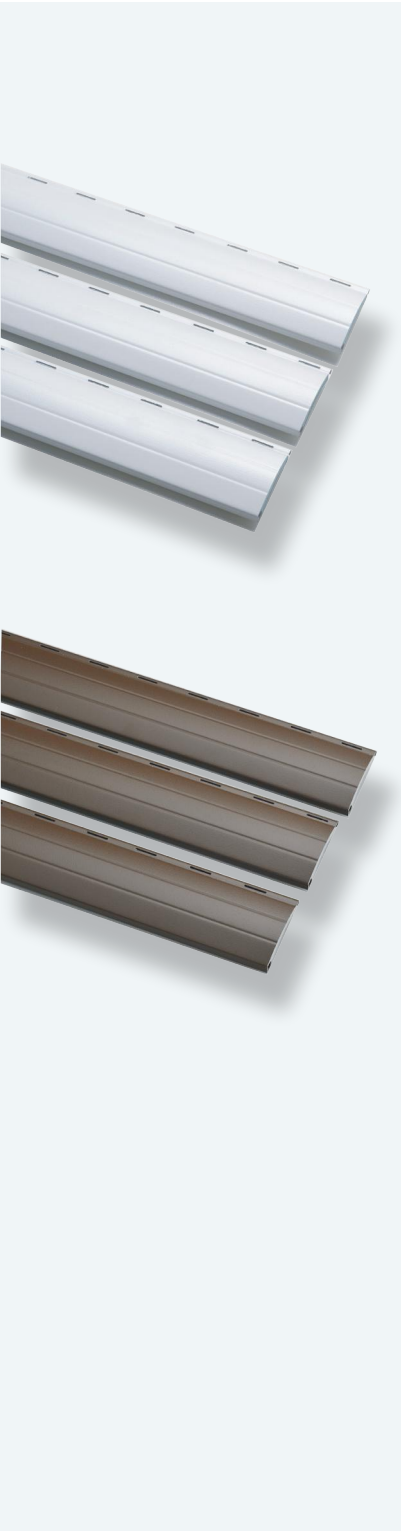
Size	39mm
Normal Thickness	8.6mm
Plate Thickness	0.23mm
Lighting Hole Size	1×12mm
Pu Density	60kg/m ³
Maximum Shutter Width	≤2.2m
Maximum Shutter Height	≤3.0m
Slats Per Meter	25.6

Packing Data

Length	5.1m-6.5m
Slats Per Package	60 Pcs

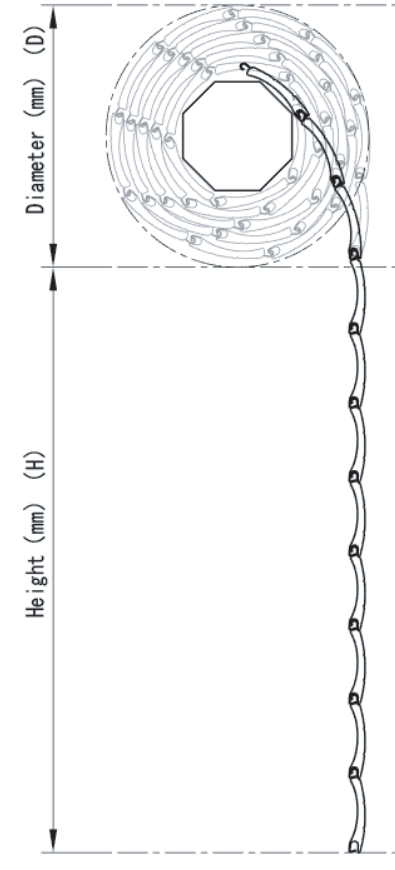


▼ EP39*8.6mm Aluminum Slat

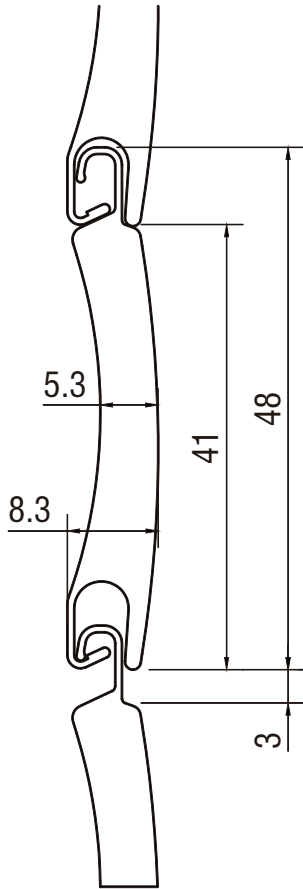


Diameters of winding

Height (mm)	Diameter	
	φ40	φ50
600	105	105
800	110	115
1000	115	120
1200	125	128
1400	133	135
1600	138	140
1800	143	145
2000	150	150
2200	155	155
2400	162	165
2600	165	170
2800	172	178
3000	175	180



▼ LP41*8.3mm Aluminum Slat



Technical Specifications

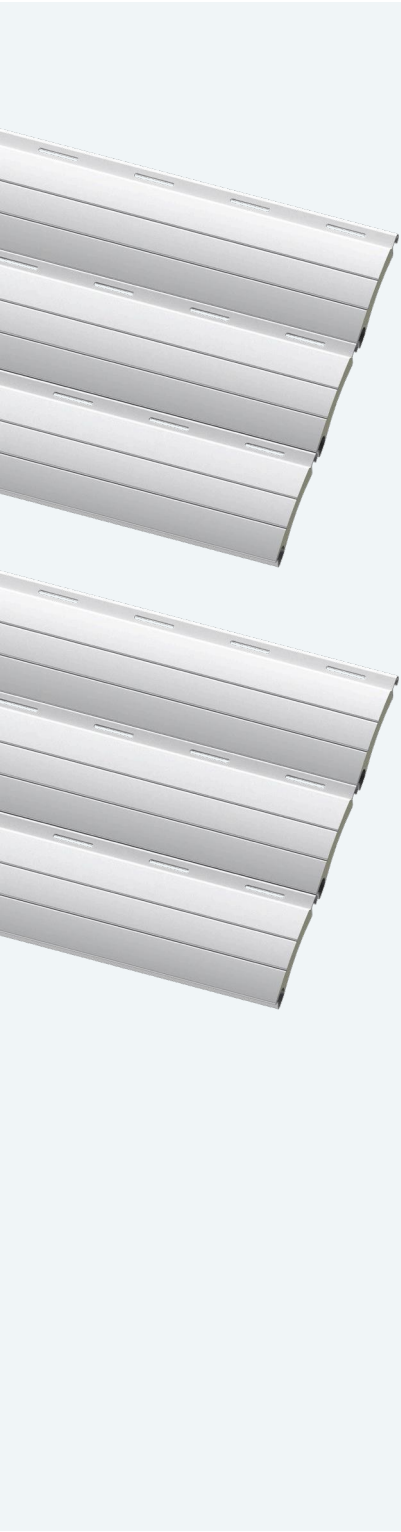
Size	41mm
Normal Thickness	8.3mm
Plate Thickness	0.28mm
Lighting Hole Size	1.5×17mm
Pu Density	60kg/m ³
Maximum Shutter Width	≤3.5m
Maximum Shutter Height	≤3.5m
Slats Per Meter	24.2

Packing Data

Length	5.1m-6.5m
Slats Per Package	56 Pcs

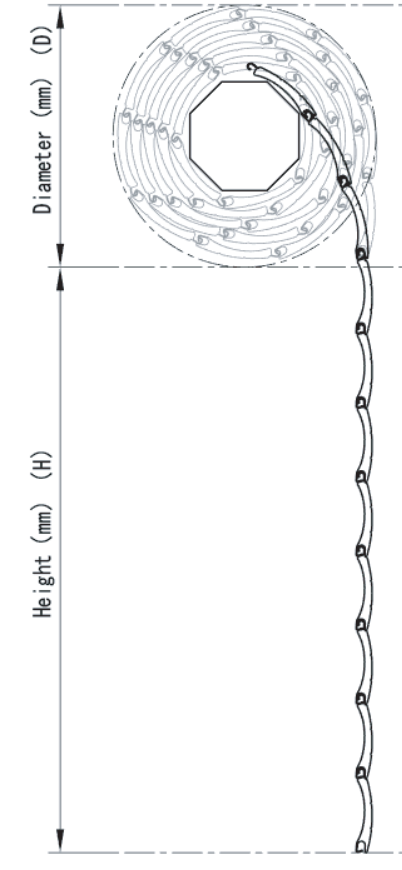


▼ LP41*8.3mm Aluminum Slat

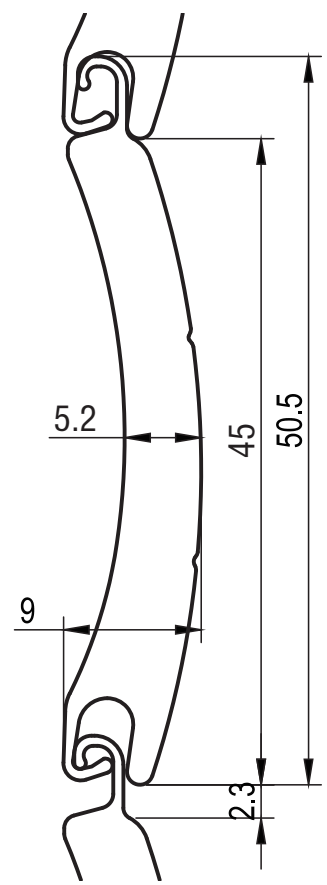


Diameters of winding

Height (mm)	Diameter	
	φ40	φ50
600	105	120
800	125	140
1000	140	140
1200	145	160
1400	160	160
1600	165	170
1800	170	180
2000	180	185
2200	180	195
2400	195	195
2600	200	200
2800	200	215
3000	215	215



▼ EP45*9.0mm Aluminum Slat



Technical Specifications

Size	45mm
Normal Thickness	9mm
Plate Thickness	0.25mm
Lighting Hole Size	1x12mm
Pu Density	60kg/m ³
Maximum Shutter Width	≤3.0m
Maximum Shutter Height	≤3.0m
Slats Per Meter	22.2

Packing Data

Length	5.1m-6.5m
Slats Per Package	56 Pcs

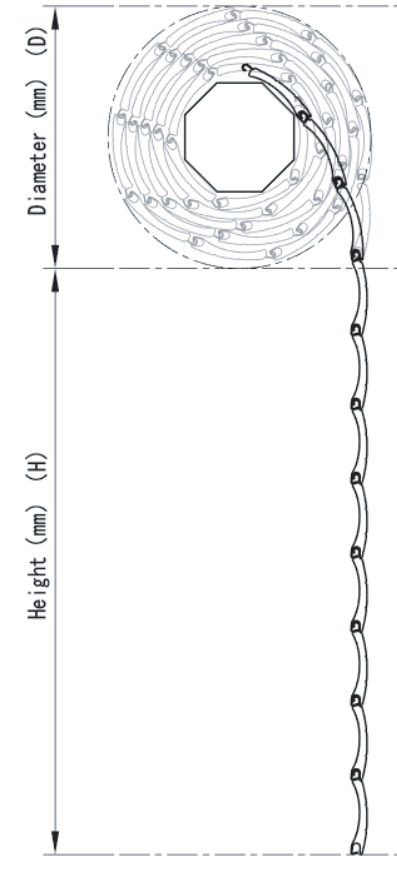


▼ EP45*9.0mm Aluminum Slat

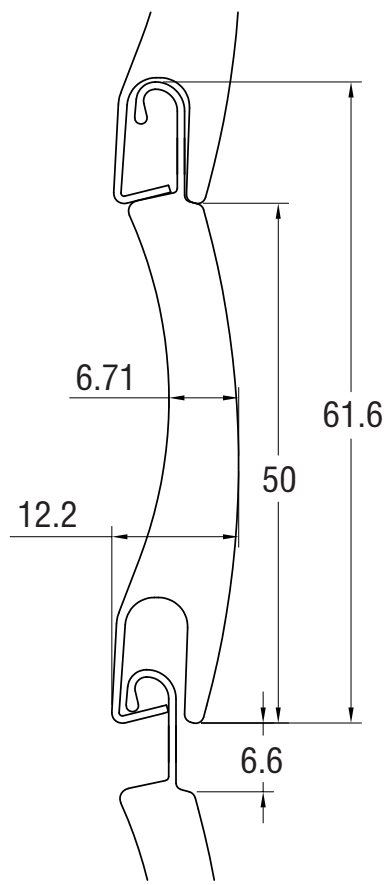


Diameters of winding

Height (mm)	Diameter	
	φ40	φ50
600	105	107
800	110	120
1000	120	128
1200	130	132
1400	137	140
1600	142	150
1800	147	155
2000	153	162
2200	160	167
2400	167	172
2600	172	177
2800	180	180
3000	180	187



▼ UP50*12.2mm Aluminum Slat



Technical Specifications

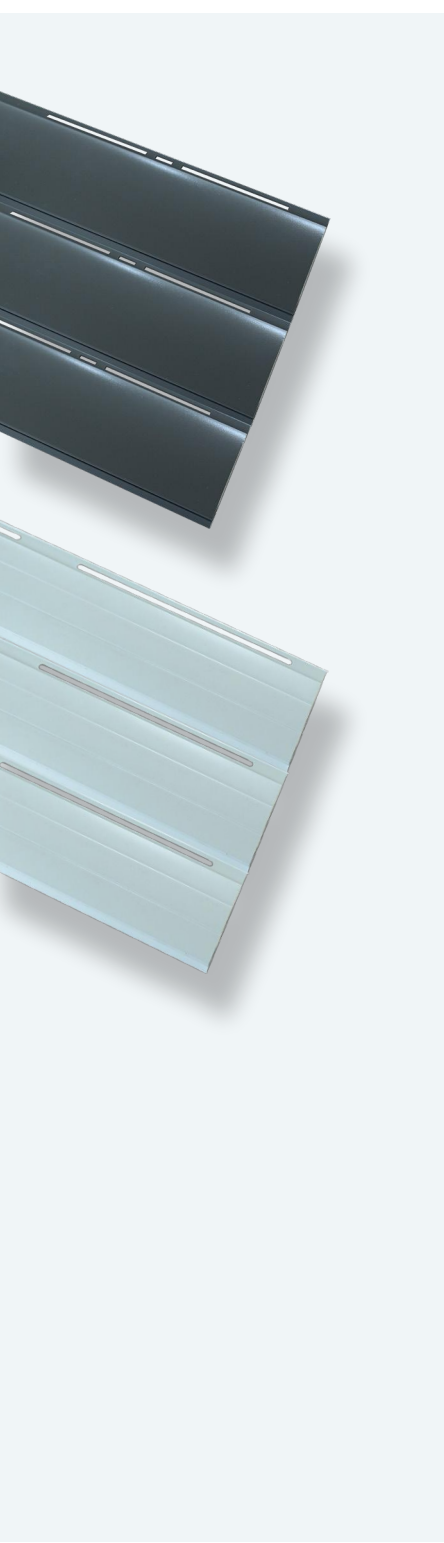
Size	50mm
Normal Thickness	12.2mm
Plate Thickness	0.36mm
Lighting Hole Size	3.9x(20~140)mm
Pu Density	60kg/m ³
Maximum Shutter Width	≤4.0m
Maximum Shutter Height	≤3.5m
Slats Per Meter	20

Packing Data

Length	5.1m-6.5m
Slats Per Package	28 Pcs

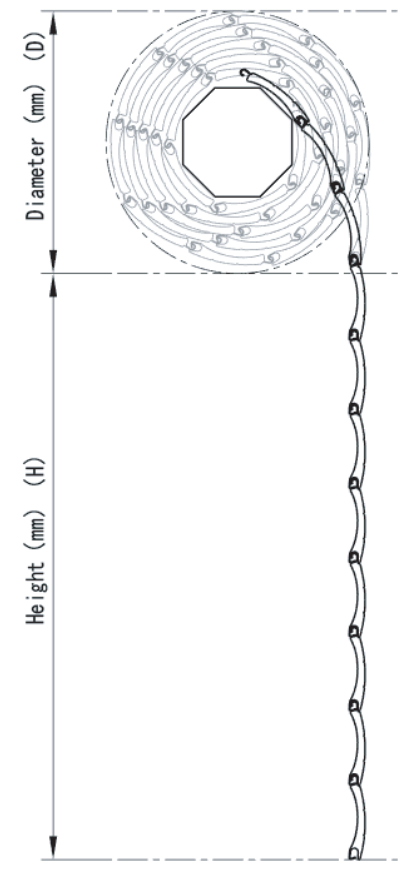


▼ UP50*12.2mm Aluminum Slat

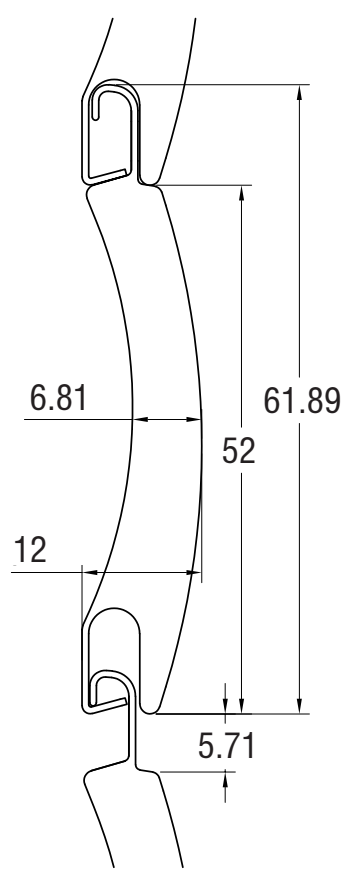


Diameters of winding

Height (mm)	Diameter	
	φ50	φ60
600	125	128
800	135	140
1000	140	145
1200	145	150
1400	160	165
1600	170	175
1800	180	185
2000	185	190
2200	190	195
2400	195	200
2600	200	205
2800	210	215
3000	220	225



▼ UP52*12.0mm Aluminum Slat



Technical Specifications

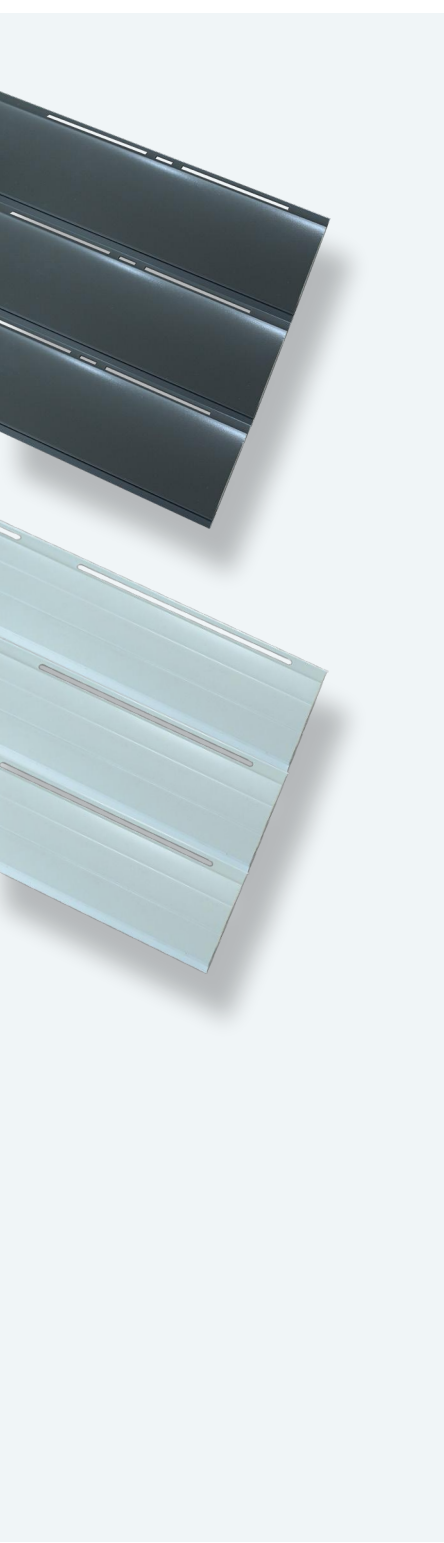
Size	52mm
Normal Thickness	12mm
Plate Thickness	0.33mm
Lighting Hole Size	3.9x(20~140)mm
Pu Density	60kg/m ³
Maximum Shutter Width	≤4.0m
Maximum Shutter Height	≤3.5m
Slats Per Meter	19

Packing Data

Length	5.1m-6.5m
Slats Per Package	28 Pcs

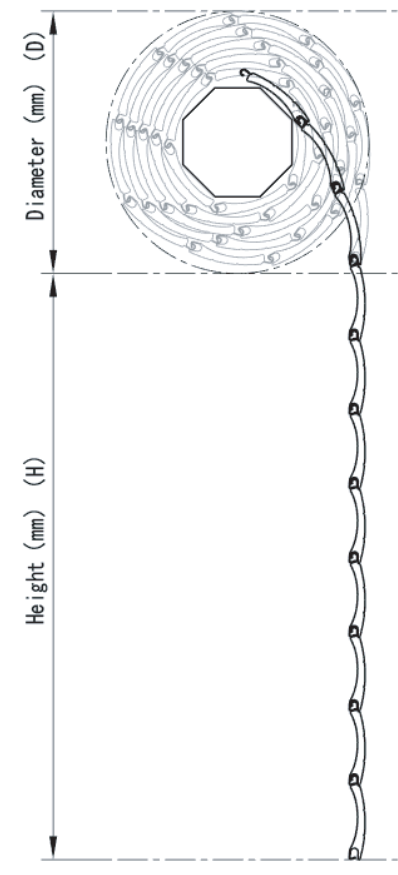


▼ UP52*12.0mm Aluminum Slat

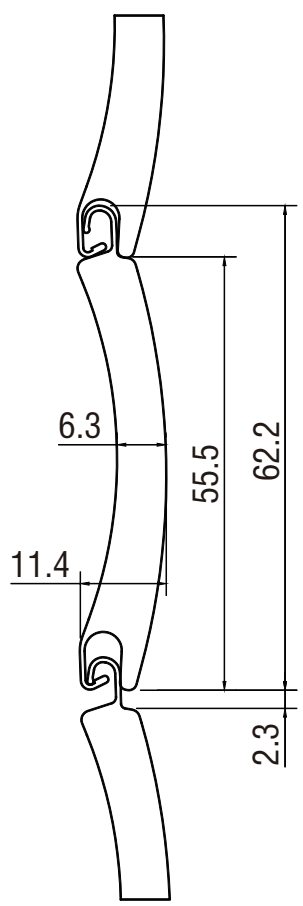


Diameters of winding

Height (mm)	Diameter	
	φ50	φ60
600	123	125
800	135	137
1000	142	145
1200	152	155
1400	162	165
1600	170	172
1800	177	180
2000	187	192
2200	191	193
2400	198	200
2600	205	205
2800	211	216
3000	217	220



▼ EP55*11.4mm Aluminum Slat



Technical Specifications

Size	55mm
Normal Thickness	11.4mm
Plate Thickness	0.28mm
Lighting Hole Size	1.1×17.5mm
Pu Density	60kg/m ³
Maximum Shutter Width	≤3.5m
Maximum Shutter Height	≤3.5m
Slats Per Meter	18.2

Packing Data

Length	5.3m-6.5m
Slats Per Package	30 Pcs

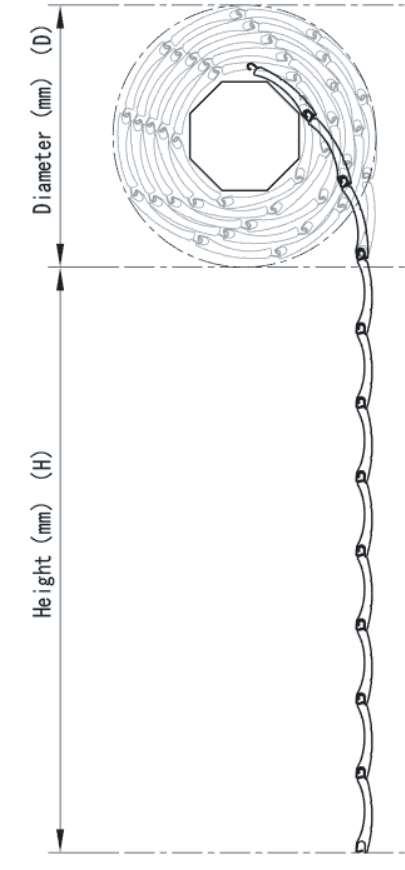


▼ EP55*11.4mm Aluminum Slat

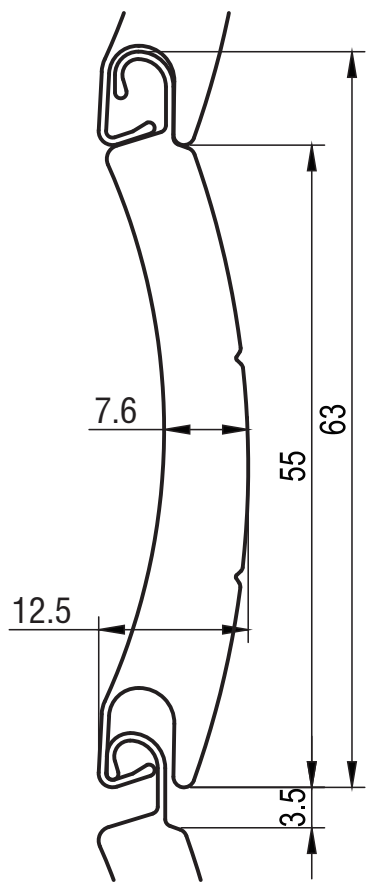


Diameters of winding

Height (mm)	Diameter	
	φ50	φ60
600	121	123
800	133	135
1000	140	143
1200	150	153
1400	160	163
1600	168	170
1800	175	178
2000	185	190
2200	190	192
2400	196	198
2600	203	205
2800	210	214
3000	215	217



▼ LP55*12.5mm Aluminum Slat

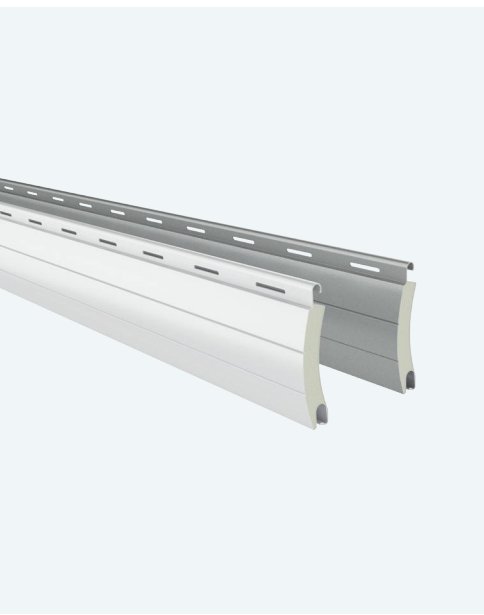


Technical Specifications

Size	55mm
Normal Thickness	12.5mm
Plate Thickness	0.3mm
Lighting Hole Size	1.5x17mm
Pu Density	60kg/m ³
Maximum Shutter Width	≤4.0m
Maximum Shutter Height	≤3.5m
Slats Per Meter	18

Packing Data

Length	5.3m-6.5m
Slats Per Package	30 Pcs

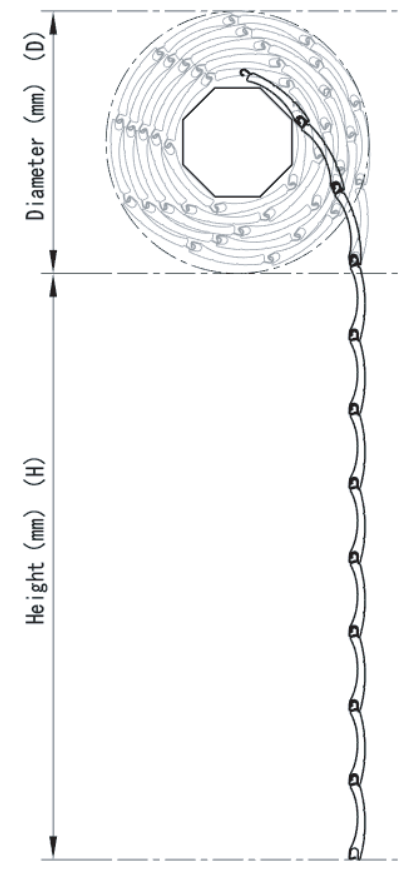


▼ LP55*12.5mm Aluminum Slat



Diameters of winding

Height (mm)	Diameter	
	φ50	φ60
600	123	125
800	135	137
1000	142	145
1200	152	155
1400	162	165
1600	170	172
1800	177	180
2000	187	192
2200	191	193
2400	198	200
2600	205	205
2800	211	216
3000	217	220



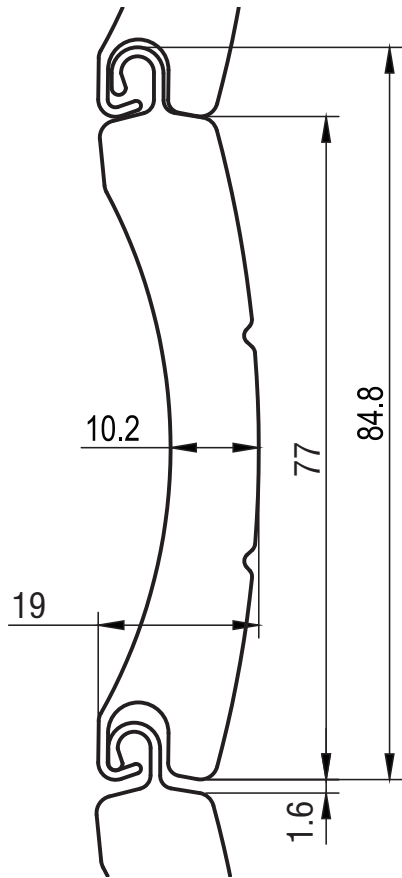
▼ 37mm/39mm/41mm/45mm/50mm/52mm/55mm Performance and Application

These rolling shutter slats are made of aluminum and filled with a very dense ecologic foam for added strength and superior insulation value. These slats are our most commonly used slats for rolling shutter windows.

The 55mm slats are used for wider openings and free expanses between posts or columns. The 50 mm and 52 mm slats, featuring large 3.9 mm*140 mm perforations, ensure natural ventilation and smooth air circulation while significantly enhancing indoor day-lighting, allowing more natural light to enter the interior.



▼ DA77*19.0mm Aluminum Slat

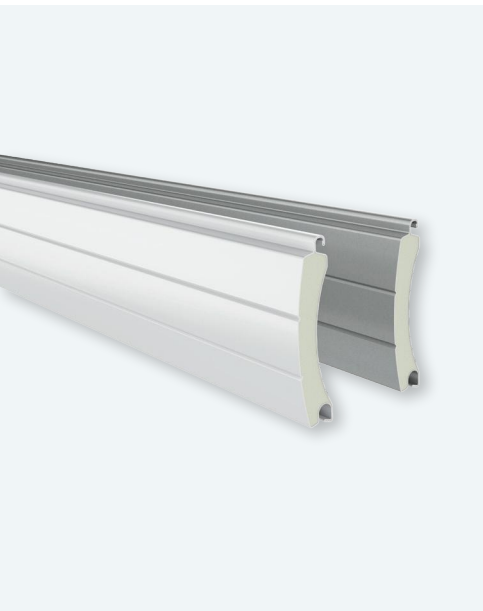


Technical Specifications

Size	77mm
Normal Thickness	19mm
Plate Thickness	0.44mm
Lighting Hole Size	/
Pu Density	60kg/m ³
Maximum Shutter Width	≤5.0m
Maximum Shutter Height	≤4.0m
Slats Per Meter	13

Packing Data

Length	4.0m-7.0m
Slats Per Package	10 Pcs

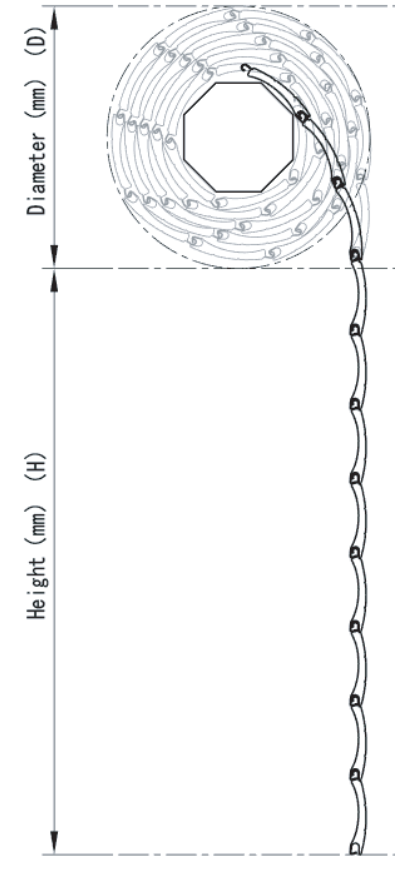


▼ DA77*19.0mm Aluminum Slat

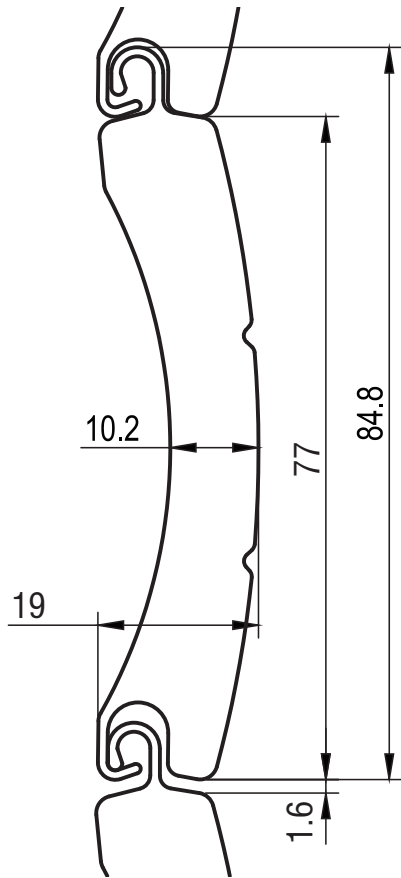


Diameters of winding

Height (mm)	Diameter	
	φ70	φ100
1000	195	218
1200	217	225
1400	227	228
1600	235	247
1800	247	252
2000	257	267
2200	268	270
2400	273	285
2600	283	285
2800	290	298
3000	300	298
3200	300	312
3400	307	314
3600	315	328
3800	326	330
4000	328	336
4200	345	343
4400	348	346
4600	348	358
4800	365	362
5000	365	370



▼ DAP77*19.0mm PVC Coating Aluminum Slat



Technical Specifications

Size	77mm
Normal Thickness	19mm
Plate Thickness	0.58mm
Lighting Hole Size	/
Pu Density	60kg/m ³
Maximum Shutter Width	≤5.0m
Maximum Shutter Height	≤4.0m
Slats Per Meter	13

Packing Data

Length	4.0m-7.0m
Slats Per Package	10 Pcs

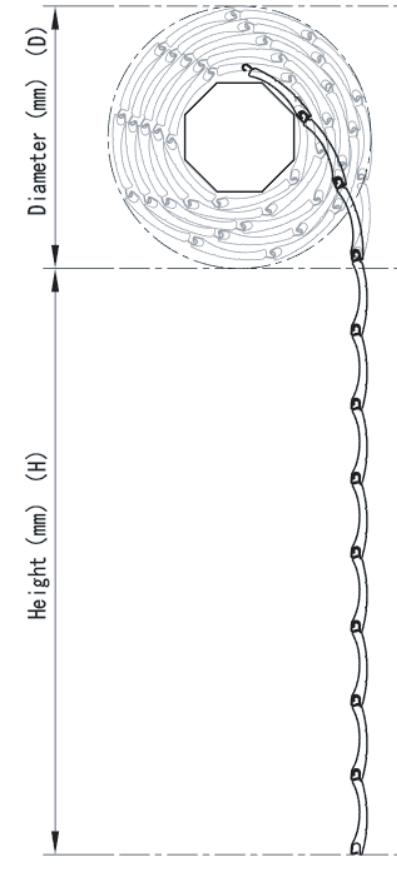


▼ DAP77*19.0mm PVC Coating Aluminum Slat

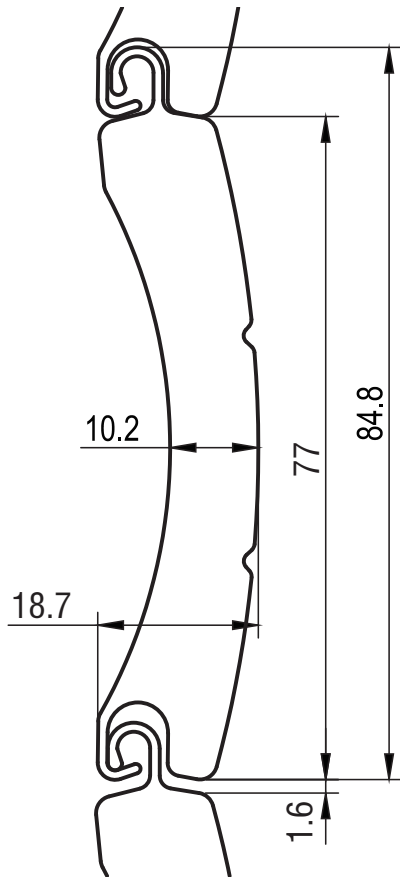


Diameters of winding

Height (mm)	Diameter	
	φ70	φ100
1000	195	218
1200	217	225
1400	227	228
1600	235	247
1800	247	252
2000	257	267
2200	268	270
2400	273	285
2600	283	285
2800	290	298
3000	300	298
3200	300	312
3400	307	314
3600	315	328
3800	326	330
4000	328	336
4200	345	343
4400	348	346
4600	348	358
4800	365	362
5000	365	370



▼ DS77*18.7mm Steel Slat



Technical Specifications

Size	77mm
Normal Thickness	18.7mm
Plate Thickness	0.45mm
Lighting Hole Size	/
Pu Density	60kg/m ³
Maximum Shutter Width	≤6.0m
Maximum Shutter Height	≤4.2m
Slats Per Meter	13

Packing Data

Length	3.5m-7.5m
Slats Per Package	6 Pcs

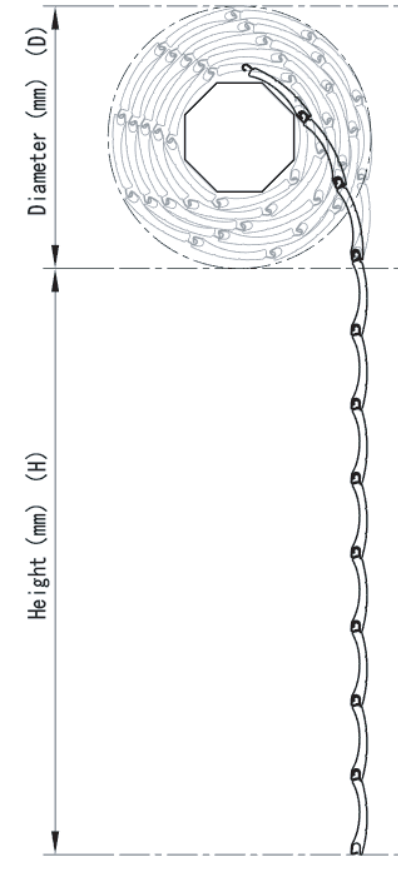


▼ DS77*18.7mm Steel Slat

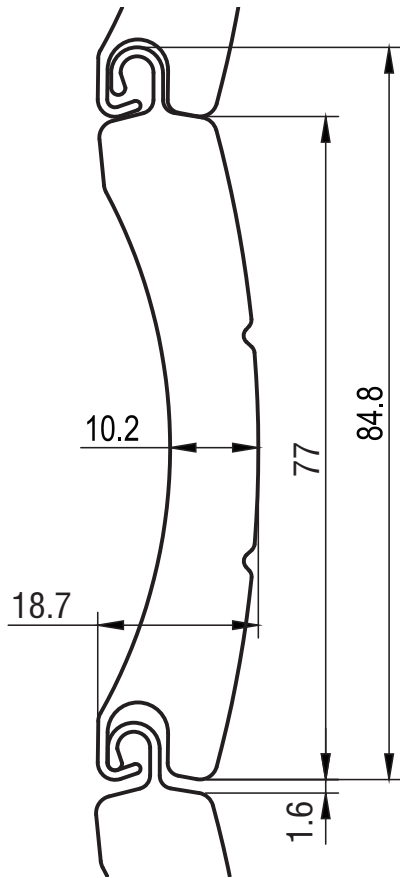


Diameters of winding

Height (mm)	Diameter	
	φ70	φ100
1000	200	220
1200	217	235
1400	230	238
1600	233	248
1800	246	250
2000	257	265
2200	267	273
2400	275	285
2600	285	288
2800	292	296
3000	300	303
3200	307	313
3400	317	317
3600	320	330
3800	326	330
4000	330	343
4200	345	345
4400	348	348
4600	355	362
4800	361	362
5000	368	370



▼ DSP77*18.7mm PVC Coating Steel Slat



Technical Specifications

Size	77mm
Normal Thickness	18.7mm
Plate Thickness	0.58mm
Lighting Hole Size	/
Pu Density	60kg/m ³
Maximum Shutter Width	≤6.0m
Maximum Shutter Height	≤4.2m
Slats Per Meter	13

Packing Data

Length	3.5m-7.5m
Slats Per Package	6 Pcs

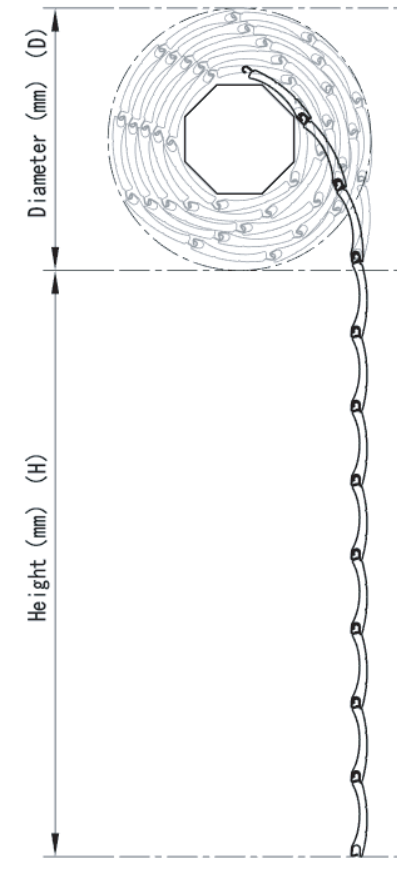


▼ DSP77*18.7mm PVC Coating Steel Slat



Diameters of winding

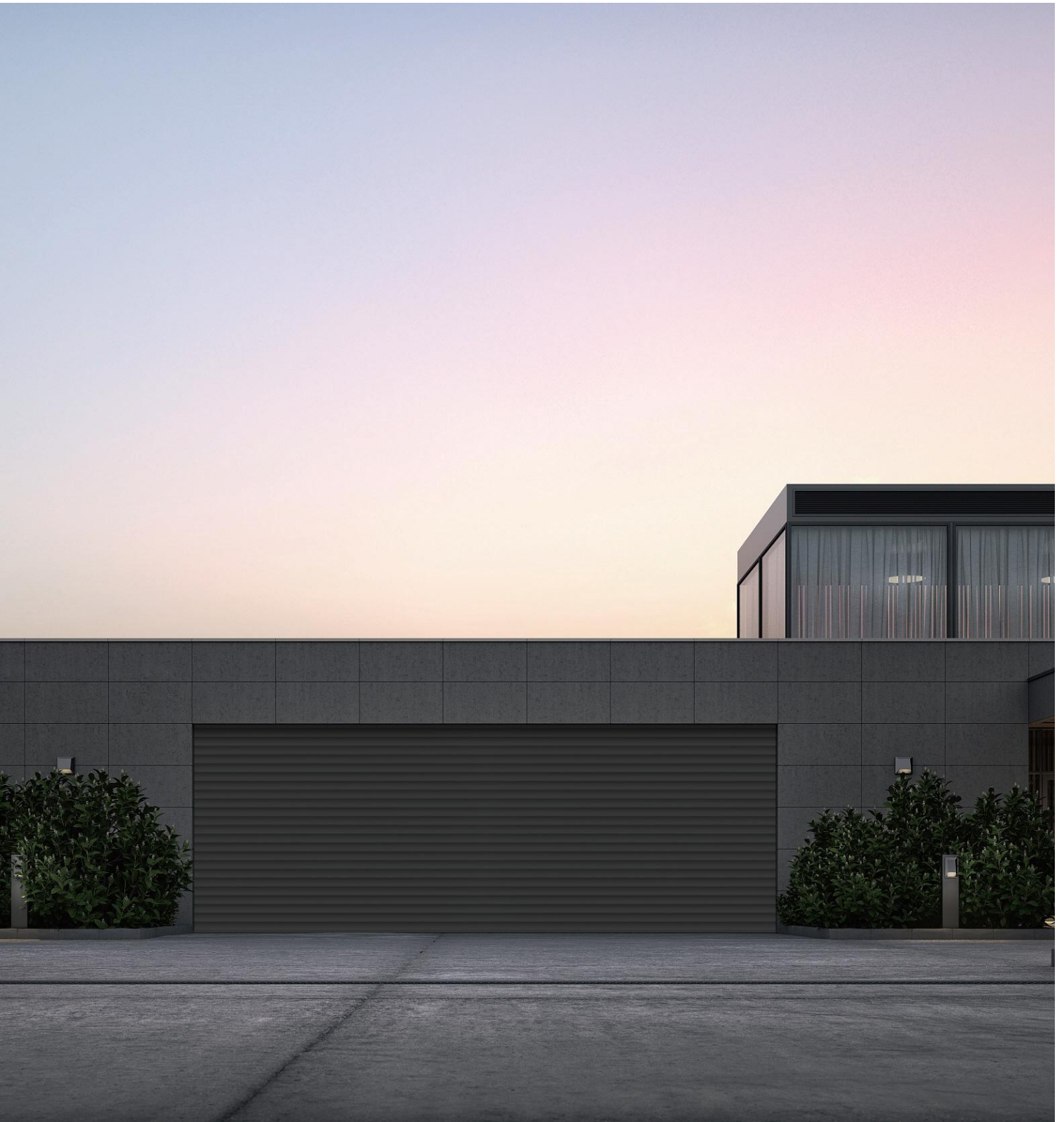
Height (mm)	Diameter	
	φ70	φ100
1000	200	220
1200	217	235
1400	230	238
1600	233	248
1800	246	250
2000	257	265
2200	267	273
2400	275	285
2600	285	288
2800	292	296
3000	300	303
3200	307	313
3400	317	317
3600	320	330
3800	326	330
4000	330	343
4200	345	345
4400	348	348
4600	355	362
4800	361	362
5000	368	370



▼ 77mm Performance and application

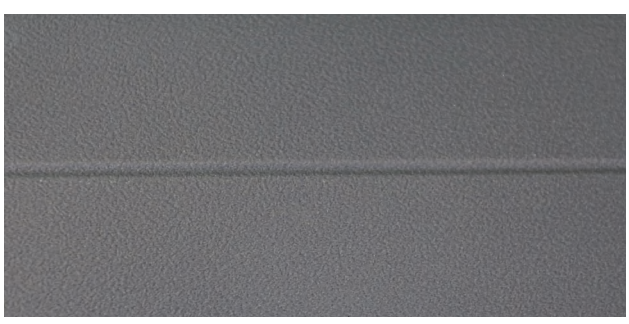
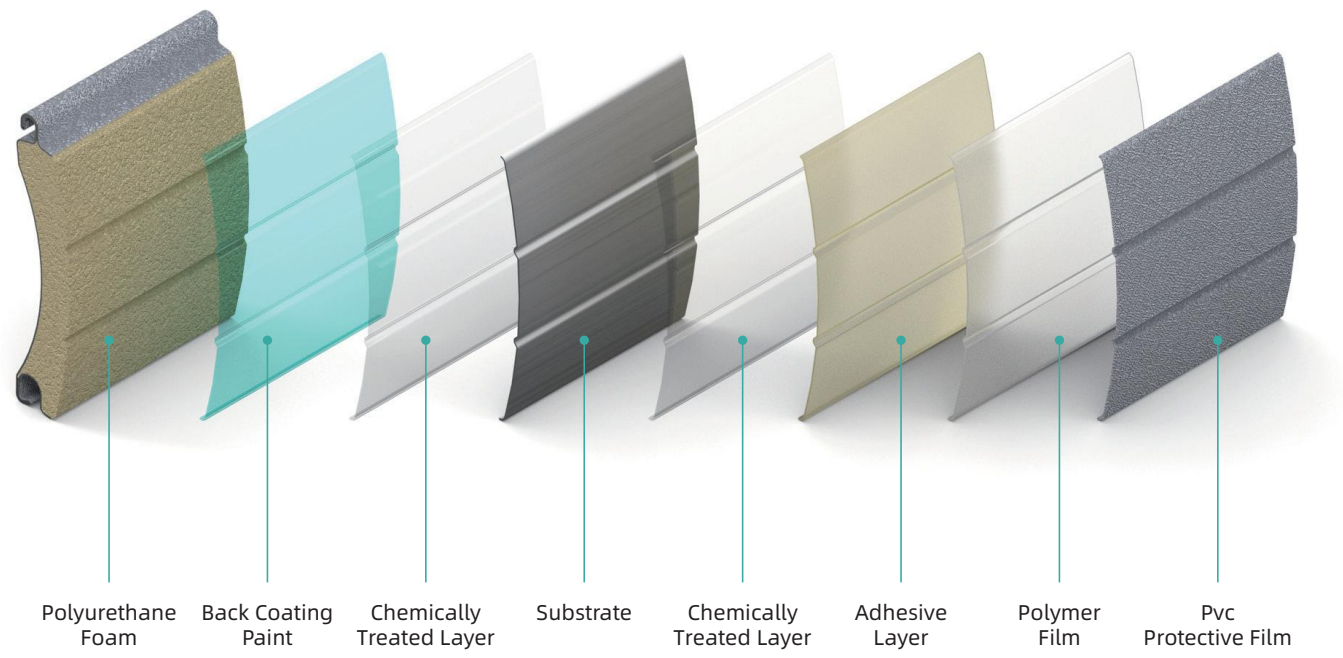
The 77mm slat is a kind of security profile with polyurethane foam insulation, and it has the highest level of rolling shutter protection.

- Designed with the strength and durability
- Ideal for larger shutter systems and high security needs
- Ideal for storefronts that face risk of break-ins
- Provide a high quality PVC coating on steel slats



▼ PVC Coating Feature

PVC lamination process is used on the surface of the rolling shutter door sheet. PVC lamination process is a special treatment of PVC film by high temperature on the metal plate, with wear-resistant, scratch-resistant, strong adhesion and other unique properties, to achieve a combination of beauty and durability in one of the uses of value.



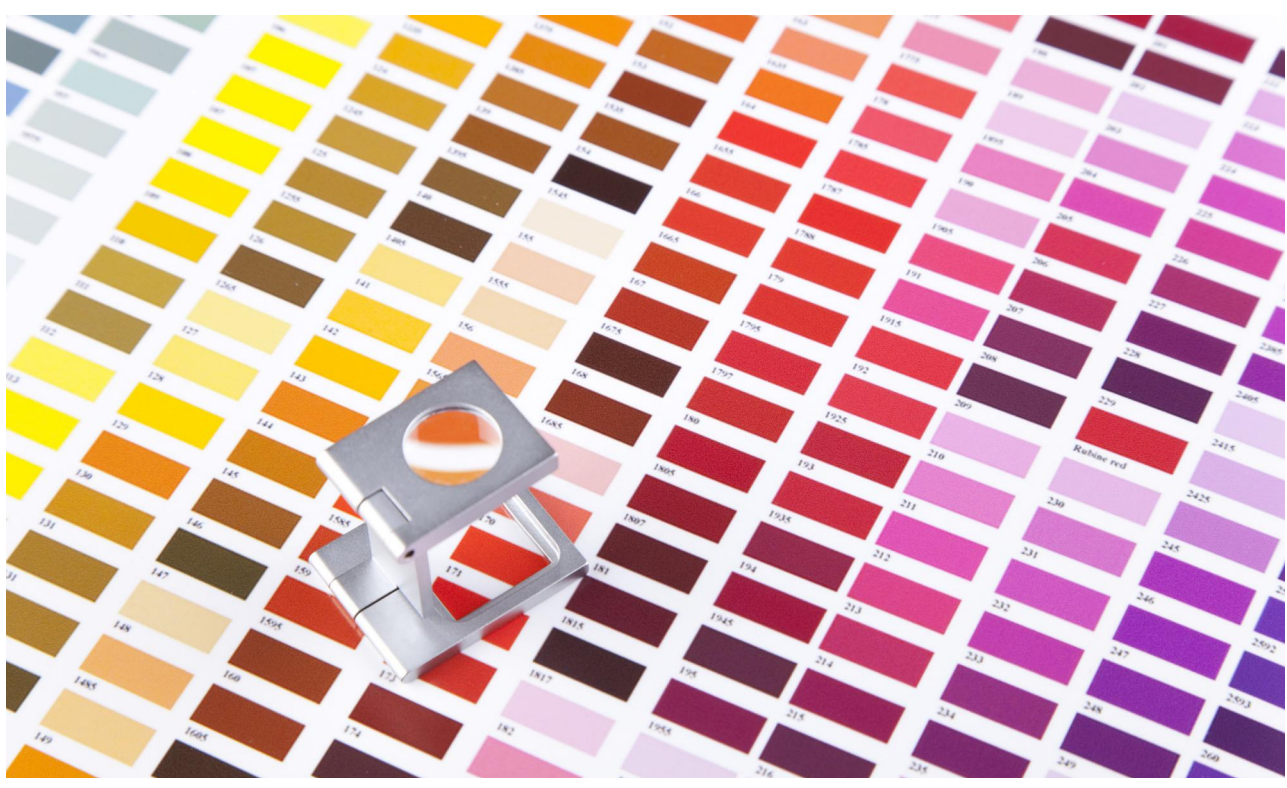
▼ RICH COLORS

For all the visible surfaces of our products made of aluminum, we offer five common color combinations or customized by RAL colors. The color scheme will always match your building space perfectly.

BASIC COLOR



PERSONALIZED COLOR



▼ QUALITY ASSURANCE



End-to-End Quality Control:

Manufactured on Italian-imported production lines, with full implementation of European processes and standards. Each batch of raw materials undergoes in-house sampling and inspection, with samples retained for over six months to ensure 100% quality inspection, full compliance, and complete traceability. Every product delivers consistent and reliable quality.



ULEPANDA
ROLLER SHUTTER SLATS

ULE PANDA

Craft by Nanjing Jinxing Yu
Energy Saving Technology Co., Ltd

China Address: 6 Liyuan Rd, Pukou District, Nanjing, Jiangsu, China, 211806

Email: Info.ulepanda@gmail.com

Serbia Address: Kninska 31a 11309 Leštane Beograd

Email: rico@ulepanda.com

www.ulepanda.com

